

# PLUG & TOUCH BY RODENSTOCK

REFRACTION UNIT PRO 1000

Elegance and comfort  
to the max.



- Space-saving
- Easy to install (right- or left-handed operation)
- Comfortable motorised chair with tilting action
- Preconfigured for Rodenstock equipment
- Timeless but remarkable
- Personal touch with individual internal LED light



# QUALITY IN DETAIL



## PRO 1000 – Elegance and Comfort Personalified

Portray your clinical excellence confidently with the Rodenstock PRO 1000 refraction unit. Representing the ultimate combination of comfort, elegance and functionality, the PRO 1000 delivers maximum flexibility and convenience in a remarkably compact footprint.



Individual colour adjustment due to RGB LED (colour sample)



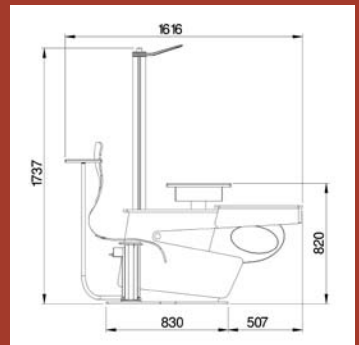
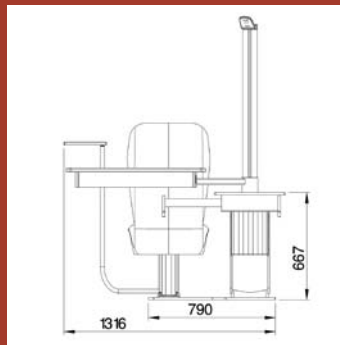
Integrated drawer e.g. for trial lenses



Bright and persistent LED reading light



Multifunctional and intuitive keyboard



## SPECIFICATIONS

Table.....rotating 90°, laterally movable, for 2 units  
 Table height..... 81 cm (+ 2 x 2.5 cm optional)  
 Seat height..... 44 cm  
 Seat elevation..... 44 – 59 cm  
 Tilting angle..... 30°  
 Nominal lifting capacity..... max. 120 kg  
 Projector column height..... 170 cm  
 Connectors..... 1 x RS-232, 1 x 5-pin slit lamp, 1 x LAN,  
 1 x USB 2.0

Reading light .....white LED 12 V  
 Ambient light (RGB).....LED 12 V  
 Power consumption.....300 VA  
 Power supply.....230 V  
 Total weight (without instruments).....approx. 231 kg

### Optionals:

Phoropter arm, trial lens cabinet, skiascope / ophthalmoscope holder

2011/10 - subject to change without notice